



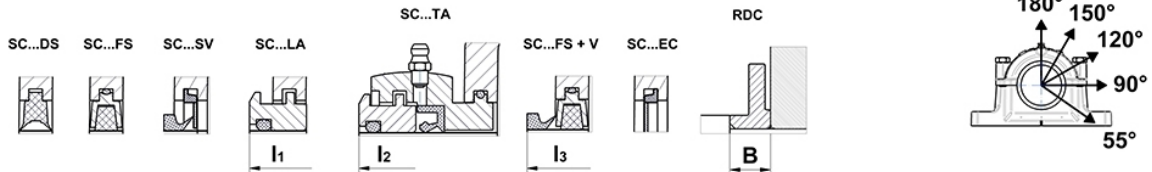
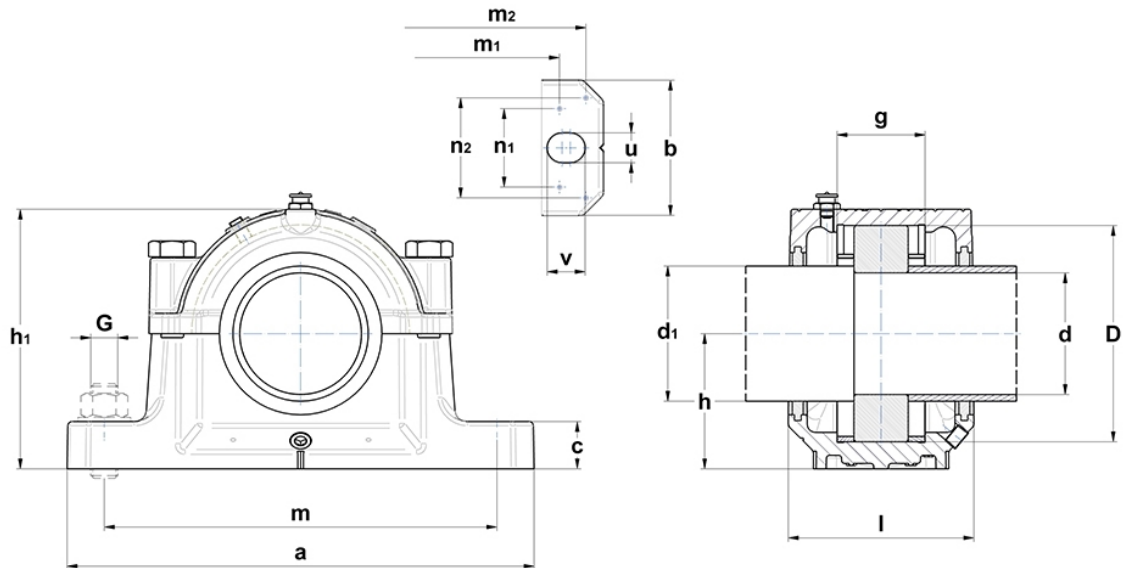
Technical data

SNC206

Split plummer block housings SNC (D)

split plummer block for bearings with cylindrical bore, made of grey cast, for grease lubrication

Visual(s)



Related products (to order separately):

Housing	Bearing	Adapter sleeve	Fixing ring (x2)	Regulation disc
002	1206		FR62x8x3	RDC206
	2206		FR62x6x3	
	22206		FR62x6x3	

Product definition

d	30 mm
d1	35 mm
a	185 mm
b	52 mm
c	22 mm
g	32 mm
h	50 mm
h1	89 mm
l	77 mm
l1	89 mm
l2	143 mm
l3	95
m	150 mm
m1	130 mm
m3	113 mm
n1	25 mm
m2	172 mm
n2	38 mm
diameter dowel pins	5 mm
u	15 mm
v	20 mm
D	62 mm
B	8.5 mm
housing weight	2.1 kg
Material of Housing	grey cast
initial grease quantity	45 Volume_cmc
Brand	SNR

Sealings and cover

sealing DS	SC 206 DS
sealing LA	SC 206 LA
sealing SV	SC 206 SV
sealing TA	SC 206 TA
sealing FS	SC 206 FS
end cover EC	SC507-606EC
V-ring option	V35A

Screws

fixing bolts G	M12
recommended torque	65 Nm
Connection bolts	M10x40
recommended torque	35 Nm
maximum loads 120°	60 kN
maximum loads 150°	35 kN
maximum loads 180°	30 kN

Breaking loads

P 0°	200 kN
P 55°	170 kN
P 90°	100 kN
P 120°	80 kN
P 150°	67 kN
P 180°	85 kN