



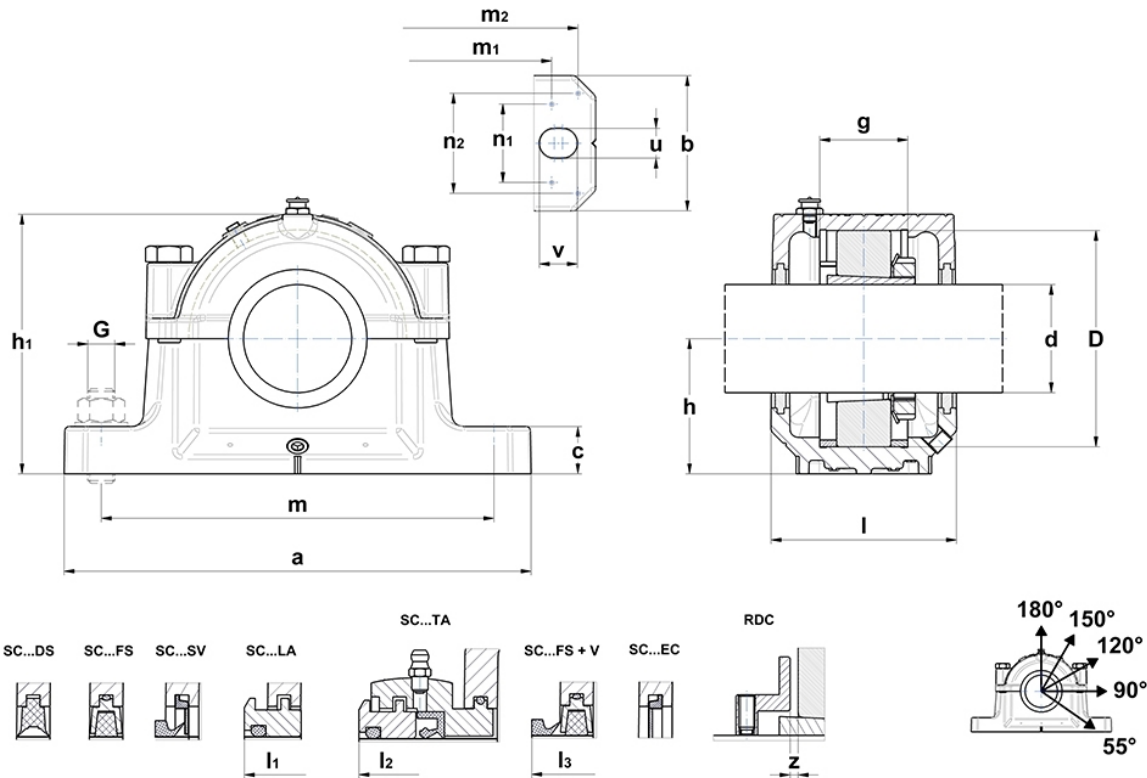
Technical data

SNC513

Split plummer block housings SNC (D)

split plummer block for bearings on adapter sleeve, made of grey cast, for grease lubrication

Visual(s)



Related products (to order separately):

Housing	Bearing	Adapter sleeve	Fixing ring (x2)	Regulation disc
028	1213K	H 213	FR 120x14	RDC513
	2213K	H 313	FR 120x10	
	22213K	H 313	FR 120x10	

Product definition

d	60 mm
a	275 mm
b	80 mm
c	30 mm
g	51 mm
h	80 mm
h1	148 mm
l	110 mm
l1	122 mm
l2	177 mm
l3	132
m	230 mm
m1	220 mm
m3	182 mm
n1	48 mm
m2	252 mm
n2	58 mm
diameter dowel pins	6 mm
u	18 mm
v	24 mm
D	120 mm
z	3 mm
housing weight	7 kg
Material of Housing	grey cast
initial grease quantity	270 Volume_cmc
Brand	SNR

Sealings and cover

sealing DS	SC 513 DS
sealing LA	SC 513 LA
sealing SV	SC 513 SV
sealing TA	SC 513 TA
sealing FS	SC 513 FS
end cover EC	SC513-611EC
V-ring option	V60A

Screws

fixing bolts G	M16
recommended torque	150 Nm
Connection bolts	M16x70
recommended torque	150 Nm
maximum loads 120°	180 kN
maximum loads 150°	100 kN
maximum loads 180°	90 kN

Breaking loads

P 0°	400 kN
P 55°	345 kN
P 90°	210 kN
P 120°	150 kN
P 150°	132 kN
P 180°	170 kN